

INDEX - SINGLE PHASE CONSTRUCTION

DWG NO.	TITLE	REV DATE
0803	SINGLE Φ POLE - DEADEND	03/13/19
0804	SINGLE Φ POLE 0°-20°	03/13/19
0805	SINGLE Φ POLE 21°-60°	03/13/19
0806	SINGLE Φ POLE 61°-90°	03/13/19
0807	SINGLE Φ POLE DOUBLE DEADEND	03/13/19
0808	SINGLE Φ POLE WITH SINGLE Φ TAP	03/13/19
0809	SINGLE Φ POLE WITH TRANSFORMER AND SECONDARY	03/13/19
0811	SINGLE Φ POLE WITH STEPDOWN TRANSFORMER	03/13/19

BURLINGTON ELECTRIC DEPT.

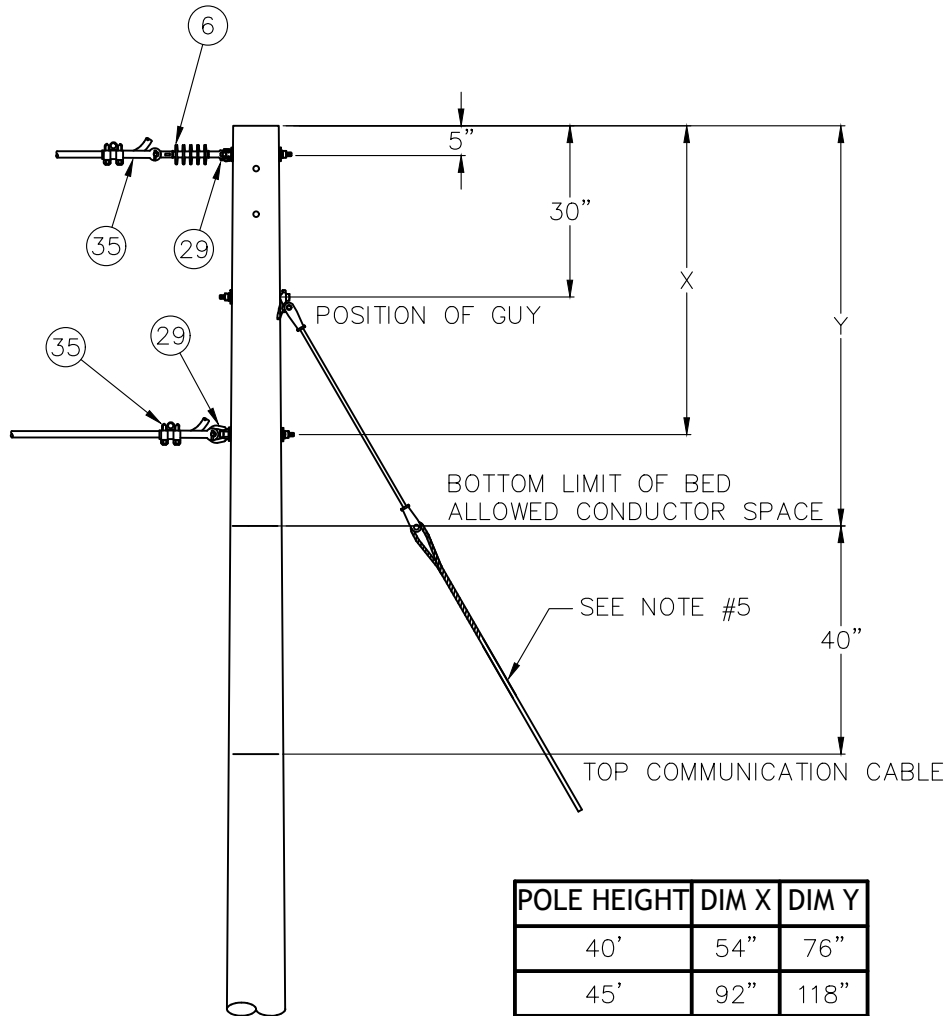
DISTRIBUTION STANDARDS

INDEX - SINGLE PHASE
CONSTRUCTION

DATE: 03/13/19 DWG. NO.: 080001

DWN BY: RG APP. BY:

SCALE: NONE SHEET 1 OF 1



POLE HEIGHT	DIM X	DIM Y
40'	54"	76"
45'	92"	118"
50'	128"	158"
55'	166"	200"

NOTES

1. NEUTRAL ATTACHMENT MAY BE LOWER DEPENDING ON SAG OF CONDUCTOR INSTALLED.
2. LOCATION OF GUY MAY BE MOVED DEPENDING ON SIZE OF CONDUCTOR.
3. STREET LIGHT MAY BE MOUNTED WITHIN 12" OF COMMUNICATIONS/FIRE ALARM AS LONG AS LIGHT IS GROUNDED.
4. ALL NEW POLES SET FOR PRIMARY SINGLE PHASE CONSTRUCTION SHALL BE 40' MINIMUM.
5. GUY SHOWN FOR LOCATION ONLY. SEE SECTION 0600 FOR GUYING INFORMATION.

BURLINGTON ELECTRIC DEPT.	
DISTRIBUTION STANDARDS	
SINGLE Ø POLE DEADEND	
DATE: 03/13/19	DWG. NO.: 080301
DWN BY: RG	APP. BY:
SCALE: NONE	SHEET 1 OF 1

0803

MATERIAL LIST

<u>ITEM</u>	<u>QUANTITY</u>	<u>DESCRIPTION</u>	<u>STOCK CODE</u>		
6	1	SUSPENSION INSULATOR	PLH	IND	00010
29	2	EYELET	-	GENERAL	STOCK
35	2	DEADEND CLAMP - #6 TO 2/0	CLA	DEA	00010
		DEADEND CLAMP - #4 TO 556 KCMIL	CLA	DEA	00050

BURLINGTON ELECTRIC DEPT.

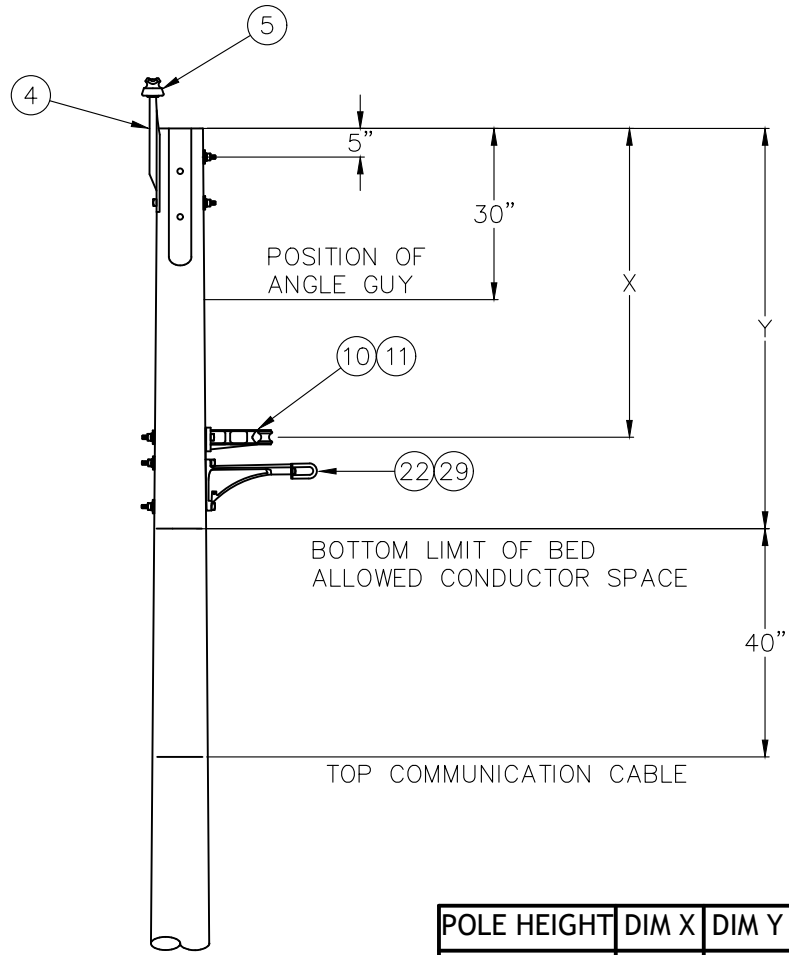
DISTRIBUTION STANDARDS

SINGLE Φ POLE - DEADEND

DATE: 03/13/19 DWG. NO.: 080302

DWN BY: RG APP. BY:

SCALE: NONE SHEET 2 OF 2



POLE HEIGHT	DIM X	DIM Y
40'	54"	76"
45'	92"	118"
50'	128"	158"
55'	166"	200"

NOTES

1. NEUTRAL ATTACHMENT MAY BE LOWER DEPENDING ON SAG OF CONDUCTOR INSTALLED.
2. IF GUY IS USED, LOCATION OF GUY MAY BE MOVED DEPENDING ON SIZE OF CONDUCTOR.
3. STREET LIGHT MAY BE MOUNTED WITHIN 12" OF COMMUNICATIONS/FIRE ALARM AS LONG AS LIGHT IS GROUNDED.
4. ALL NEW POLES SET FOR PRIMARY SINGLE PHASE CONSTRUCTION SHALL BE 40' MINIMUM.

BURLINGTON ELECTRIC DEPT.	
DISTRIBUTION STANDARDS	
SINGLE Ø POLE	
0° - 20°	
DATE: 03/13/19	DWG. NO.: 080401
DWN BY: RG	APP. BY:
SCALE: NONE	SHEET 1 OF 1

0804

MATERIAL LIST

<u>ITEM</u>	<u>QUANTITY</u>	<u>DESCRIPTION</u>	<u>STOCK CODE</u>		
4	1	POLE TOP PIN, 20"	PLH	PIN	00010
5	1	PIN (SADDLE BACK) INSULATOR	PLH	INP	00010

OPTIONAL EQUIPMENT

<u>ITEM</u>	<u>QUANTITY</u>	<u>DESCRIPTION</u>	<u>STOCK CODE</u>		
22	1	HENDRIX BRACKET	PLH	HDX	00100
29	1	EYELET	-	GENERAL	STOCK
10	1	NEUTRAL BRACKET	PLH	BKT	00160
11	1	SPOOL INSULATOR	PLH	INL	00020

BURLINGTON ELECTRIC DEPT.

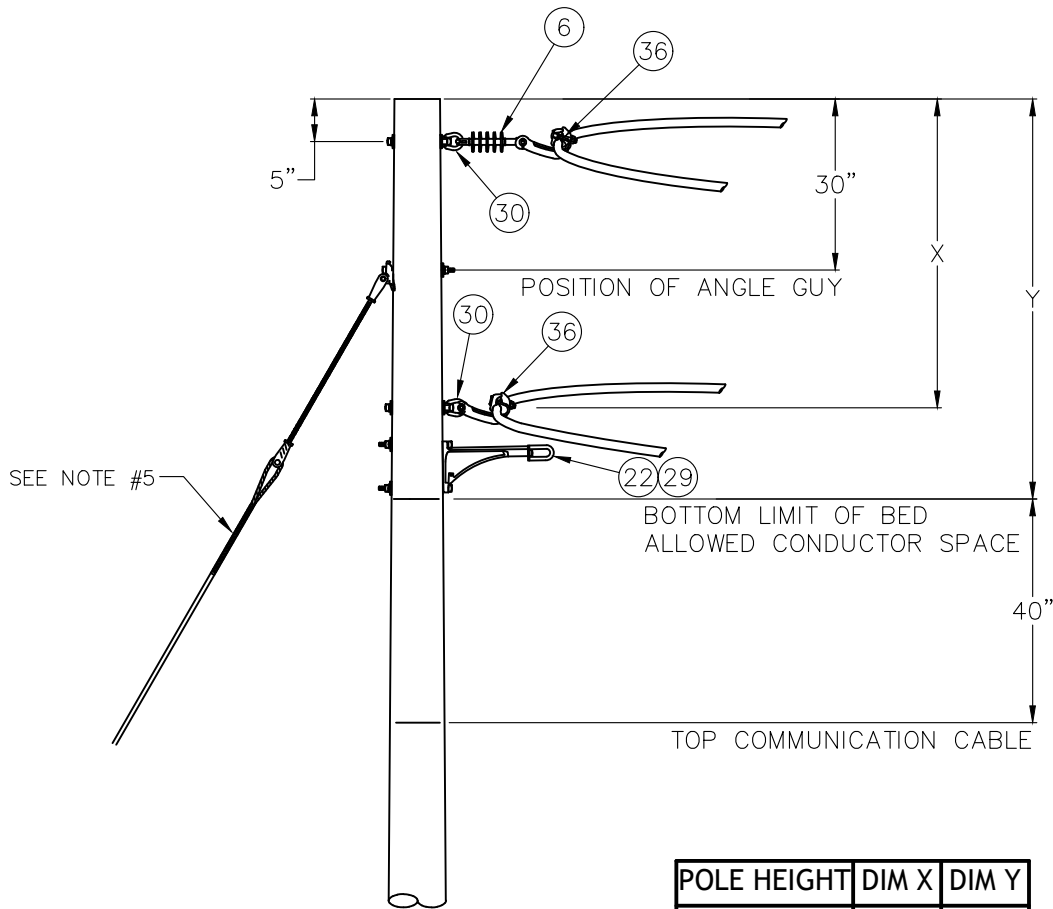
DISTRIBUTION STANDARDS

SINGLE Φ POLE 0°-20°

DATE: 03/13/19 DWG. NO.: 080402

DWN BY: RG APP. BY:

SCALE: NONE SHEET 2 OF 2



POLE HEIGHT	DIM X	DIM Y
40'	54"	76"
45'	92"	118"
50'	128"	158"
55'	166"	200"

NOTES

1. NEUTRAL ATTACHMENT MAY BE LOWER DEPENDING ON SAG OF CONDUCTOR INSTALLED.
2. LOCATION OF GUY MAY BE MOVED DEPENDING ON SIZE OF CONDUCTOR.
3. STREET LIGHT MAY BE MOUNTED WITHIN 12" OF COMMUNICATIONS/FIRE ALARM AS LONG AS LIGHT IS GROUNDED.
4. ALL NEW POLES SET FOR PRIMARY SINGLE PHASE CONSTRUCTION SHALL BE 40' MINIMUM.
5. GUY SHOWN FOR LOCATION ONLY.

BURLINGTON ELECTRIC DEPT.	
DISTRIBUTION STANDARDS	
SINGLE Ø POLE	
21° - 60°	
DATE: 03/13/19	DWG. NO.: 080501
DWN BY: RG	APP. BY:
SCALE: NONE	SHEET 1 OF 1

0805

MATERIAL LIST

<u>ITEM</u>	<u>QUANTITY</u>	<u>DESCRIPTION</u>	<u>STOCK CODE</u>		
6	1	SUSPENSION INSULATOR	PLH	IND	00010
14	3	5/8" MACHINE BOLT COMBO	-	GENERAL	STOCK
30	1	EYE NUT	-	GENERAL	STOCK
36	2	ANGLE CLAMP	CLA	ANG	00030

OPTIONAL EQUIPMENT

<u>ITEM</u>	<u>QUANTITY</u>	<u>DESCRIPTION</u>	<u>STOCK CODE</u>		
14	1	5/8" MACHINE BOLT COMBO	-	GENERAL	STOCK
30	1	EYE NUT	-	GENERAL	STOCK
36	1	ANGLE CLAMP	CLA	ANG	00030
22	1	HENDRIX BRACKET	PLH	HDX	00100
29	1	EYELET	-	GENERAL	STOCK

BURLINGTON ELECTRIC DEPT.

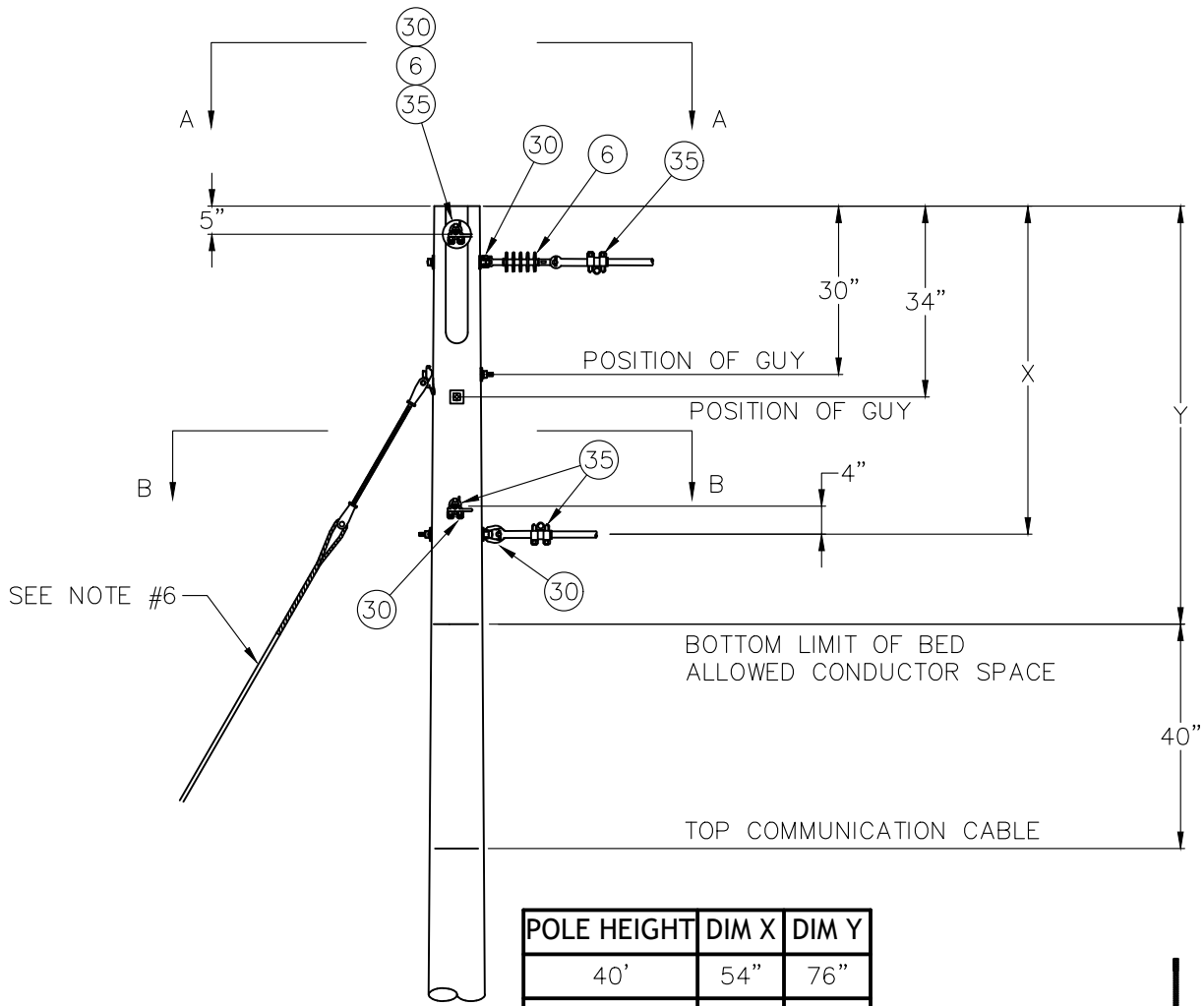
DISTRIBUTION STANDARDS

SINGLE Φ POLE 21°-60°

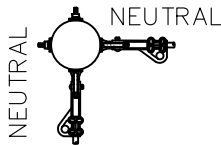
DATE: 03/13/19 DWG. NO.: 080502

DWN BY: RG APP. BY:

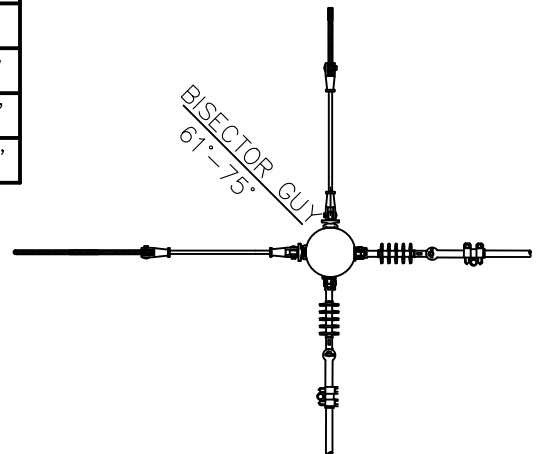
SCALE: NONE SHEET 2 OF 2



POLE HEIGHT	DIM X	DIM Y
40'	54"	76"
45'	92"	118"
50'	128"	158"
55'	166"	200"



SECTION B-B



VIEW A-A

NOTES

1. NEUTRAL ATTACHMENT MAY BE LOWER DEPENDING ON SAG OF CONDUCTOR INSTALLED.
2. LOCATION OF GUY(S) MAY BE MOVED DEPENDING ON SIZE OF CONDUCTOR.
3. BISECTOR GUY TO BE INSTALLED IF ANGLE BETWEEN LINES IS 61° TO 75°.
4. STREET LIGHT MAY BE MOUNTED WITHIN 12" OF COMMUNICATIONS/FIRE ALARM AS LONG AS LIGHT IS GROUNDED.
5. ALL NEW POLES SET FOR PRIMARY SINGLE PHASE CONSTRUCTION SHALL BE 40' MINIMUM.
6. GUY SHOWN FOR LOCATION ONLY. SEE SECTION 0600 FOR GUYING INFORMATION.

BURLINGTON ELECTRIC DEPT.

DISTRIBUTION STANDARDS

SINGLE Ø POLE

61° - 90°

DATE: 03/13/19

DWG. NO.: 080601

DWN BY: RG

APP. BY:

SCALE: NONE

SHEET 1 OF 1

MATERIAL LIST

<u>ITEM</u>	<u>QUANTITY</u>	<u>DESCRIPTION</u>	<u>STOCK CODE</u>		
6	2	SUSPENSION INSULATOR	PLH	IND	00010
14	7	5/8" MACHINE BOLT COMBO	-	GENERAL	STOCK
30	4	EYE NUT	-	GENERAL	STOCK
35	4	DEADEND CLAMP - #6 TO 2/0	CLA	DEA	00010
		DEADEND CLAMP - #4 TO 556 KCMIL	CLA	DEA	00050

BURLINGTON ELECTRIC DEPT.

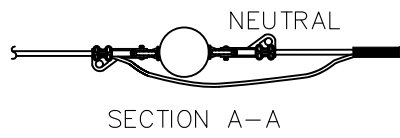
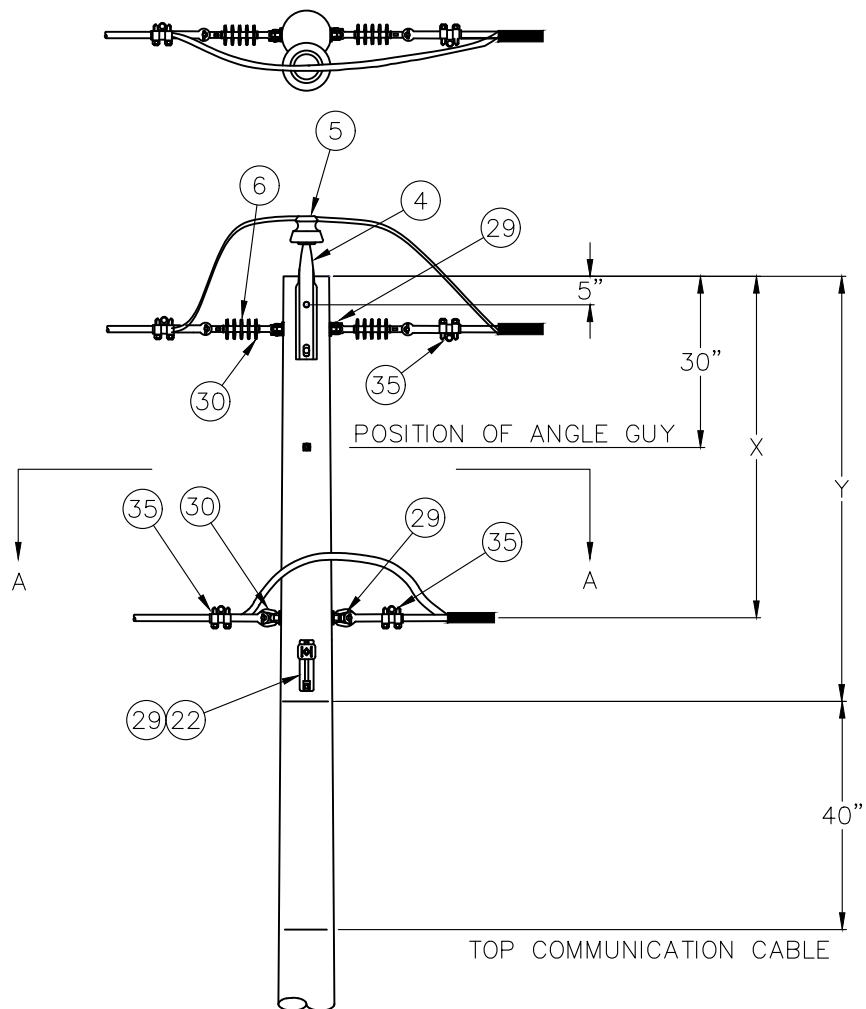
DISTRIBUTION STANDARDS

SINGLE Φ POLE 61°-90°

DATE: 03/13/19 DWG. NO.: 080602

DWN BY: RG APP. BY:

SCALE: NONE SHEET 2 OF 2



POLE HEIGHT	DIM X	DIM Y
40'	54"	76"
45'	92"	118"
50'	128"	158"
55'	166"	200"

NOTES

1. NEUTRAL ATTACHMENT MAY BE LOWER DEPENDING ON SAG OF CONDUCTOR INSTALLED.
2. IF GUY IS USED, LOCATION OF GUY MAY BE MOVED DEPENDING ON SAG OF CONDUCTOR INSTALLED.
3. STREET LIGHT MAY BE MOUNTED WITHIN 12" OF COMMUNICATIONS/FIRE ALARM AS LONG AS LIGHT IS GROUNDED.
4. ALL NEW POLES SET FOR PRIMARY SINGLE PHASE CONSTRUCTION SHALL BE 40' MINIMUM.

BURLINGTON ELECTRIC DEPT.	
DISTRIBUTION STANDARDS	
SINGLE Ø POLE DOUBLE DEADEND	
DATE: 03/13/19	DWG. NO.: 080701
DWN BY: RG	APP. BY:
SCALE: NONE	SHEET 1 OF 1

MATERIAL LIST

<u>ITEM</u>	<u>QUANTITY</u>	<u>DESCRIPTION</u>	<u>STOCK CODE</u>		
4	1	POLE TOP PIN, 20"	PLH	PIN	00010
5	1	PIN (SADDLE BACK) INSULATOR	PLH	INP	00010
6	2	SUSPENSION INSULATOR	PLH	IND	00010
14	4	5/8" MACHINE BOLT COMBO	-	GENERAL	STOCK
29	2	EYELET	-	GENERAL	STOCK
30	2	EYE NUT	-	GENERAL	STOCK
35	4	DEADEND CLAMP - #6 TO 2/0	CLA	DEA	00010
		DEADEND CLAMP - #4 TO 556 KCMIL	CLA	DEA	00050

BURLINGTON ELECTRIC DEPT.

DISTRIBUTION STANDARDS

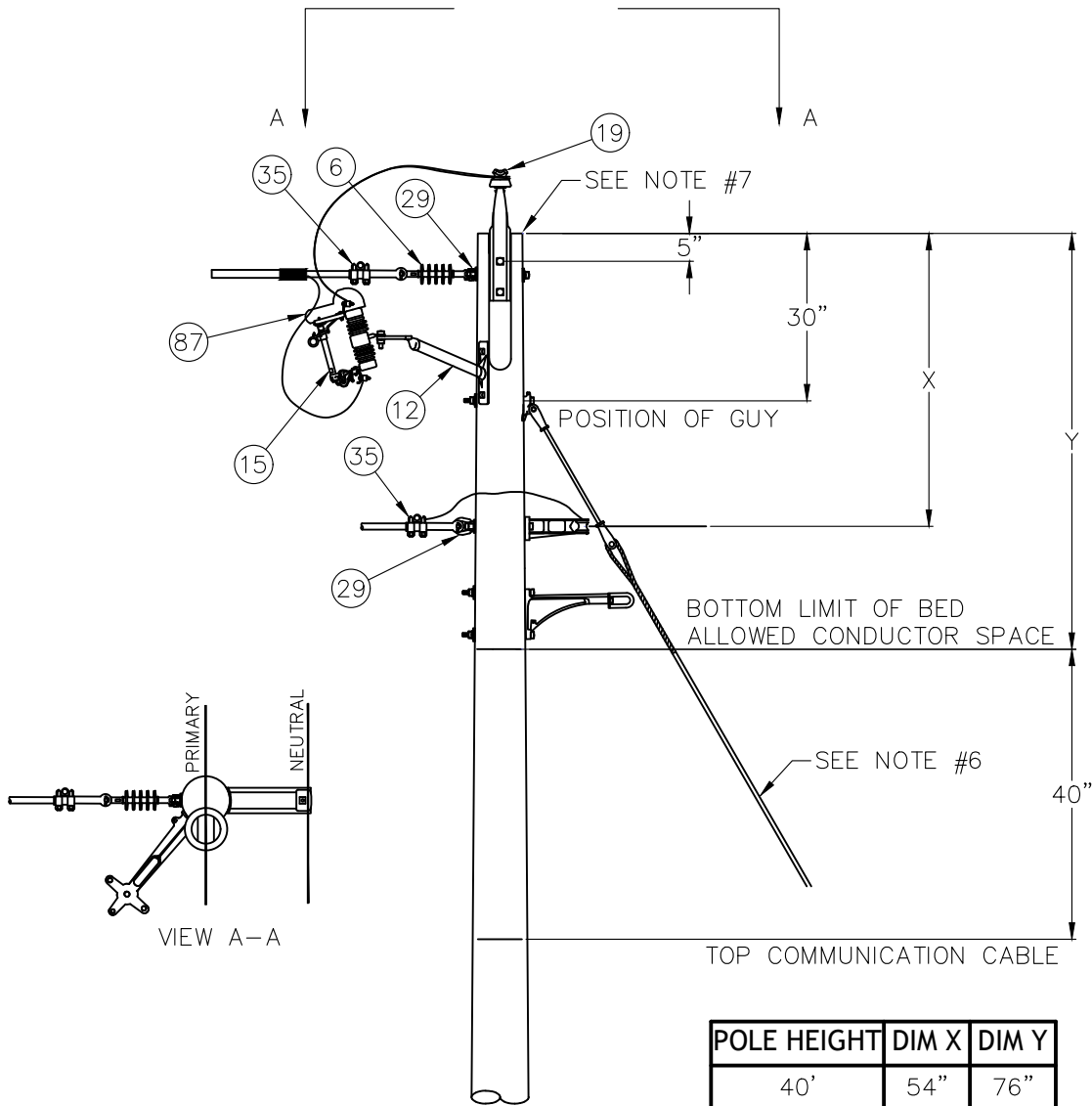
SINGLE Φ POLE DOUBLE

DEADEND

DATE: 03/13/19 | DWG. NO.: 080702

DWN BY: RG | APP. BY:

SCALE: NONE | SHEET 2 OF 2



NOTES

1. NEUTRAL ATTACHMENT MAY BE LOWER DEPENDING ON SAG OF CONDUCTOR INSTALLED.
2. LOCATION OF FIBERGLASS CLOVERLEAF ARM AND CUTOUTS WILL BE DETERMINED BY FIELD CONDITIONS.
3. LOCATION OF GUY MAY BE MOVED DEPENDING ON SAG OF CONDUCTOR INSTALLED.
4. STREET LIGHT MAY BE MOUNTED WITHIN 12" OF COMMUNICATIONS/FIRE ALARM AS LONG AS LIGHT IS GROUNDED.
5. ALL NEW POLES SET FOR PRIMARY SINGLE PHASE CONSTRUCTION SHALL BE 40' MINIMUM.
6. GUY SHOWN FOR LOCATION ONLY. SEE SECTION 0600 FOR GUYING INFORMATION.
7. FOR SINGLE PHASE CONSTRUCTION, SEE 0804.

BURLINGTON ELECTRIC DEPT.

DISTRIBUTION STANDARDS

**SINGLE Ø POLE
WITH SINGLE Ø TAP**

DATE: 03/13/19

DWG. NO.: 080801

DWN BY: RG

APP. BY:

SCALE: NONE

SHEET 1 OF 1

MATERIAL LIST

<u>ITEM</u>	<u>QUANTITY</u>	<u>DESCRIPTION</u>	<u>STOCK CODE</u>		
6	2	SUSPENSION INSULATOR	PLH	IND	00010
12	1	CLOVERLEAF ARM	PLH	BKT	00030
14	3	5/8" MACHINE BOLT COMBO	-	GENERAL	STOCK
15	1	FUSED CUTOUT	SWI	CUT	00070
19	1	HOT LINE CLAMP (3/0 - #6)	CLA	HLC	00010
35	2	DEADEND CLAMP - #6 TO 2/0	CLA	DEA	00010
		DEADEND CLAMP - #4 TO 556 KCMIL	CLA	DEA	00050
87	1	CUTOUT ANIMAL GUARD	PLH	WLP	00060

BURLINGTON ELECTRIC DEPT.

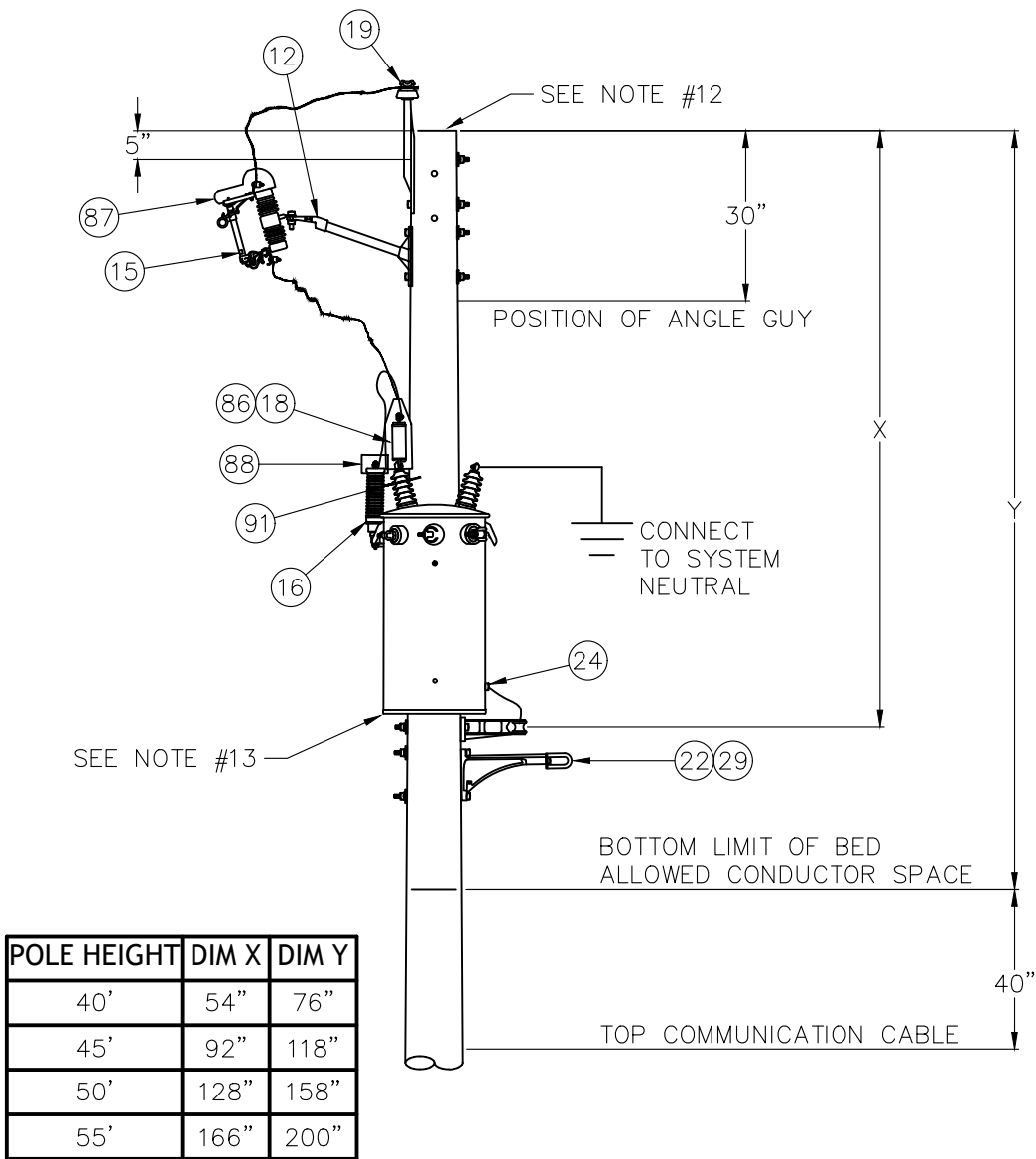
DISTRIBUTION STANDARDS

SINGLE Φ POLE WITHSINGLE Φ TAP

DATE: 03/13/19 DWG. NO.: 080802

DWN BY: RG APP. BY:

SCALE: NONE SHEET 2 OF 2



NOTES

1. NEUTRAL ATTACHMENT MAY BE LOWER DEPENDING ON SAG OF CONDUCTOR INSTALLED.
2. FIELD CONDITIONS WILL GOVERN EXACT LOCATION OF TRANSFORMER (DRAWING SHOWS THE LOWEST POSSIBLE LOCATION).
3. TRANSFORMERS LARGER THAN 50kVA REQUIRE 3/4" HARDWARE.
4. THE PREFERRED LOCATION OF THE ARRESTER IS ON THE TRANSFORMER TANK. WIRE TO LOAD SIDE OF CUTOUT.
5. USE ANIMAL GUARD ON ARRESTER AND TRANSFORMER BUSHINGS (TOP MOUNTED BUSHING TRANSFORMERS).
6. PRIMARY AND GROUND CONNECTIONS WILL USE #2 STRANDED COPPER WITH 600V INSULATION.
7. STREET LIGHT MAY BE MOUNTED WITHIN 12" OF COMMUNICATIONS/FIRE ALARM AS LONG AS LIGHT IS GROUNDED.
8. IF GUY IS USED, LOCATION OF GUY MAY BE MOVED DEPENDING ON SIZE OF CONDUCTOR.
9. SEE DRAWING 0704 FOR GROUNDING.
10. ALL NEW POLES SET FOR PRIMARY SINGLE PHASE CONSTRUCTION SHALL BE 40' MINIMUM.
11. THE CURRENT LIMITING FUSE SHALL BE INSTALLED ON THE TRANSFORMER BUSHING (PREFERRED OPTION) OR THE LOAD SIDE OF THE CUTOUT. THE CURRENT LIMITING FUSE SHALL NOT BE INSTALLED ON THE LINE SIDE OF THE CUTOUT.
12. FOR SINGLE PHASE CONSTRUCTION, SEE 0804.
13. IF SPACING REQUIRES, BOTTOM OF TRANSFORMER CAN BE NO LESS THAN 30" FROM TOP COMMUNICATION CABLE.

BURLINGTON ELECTRIC DEPT.	
DISTRIBUTION STANDARDS	
SINGLE Ø POLE WITH TRANSFORMER & SECONDARY	
DATE: 03/13/19	DWG. NO.: 080901
DWN BY: RG	APP. BY:
SCALE: NONE	SHEET 1 OF 1

MATERIAL LIST

<u>ITEM</u>	<u>QUANTITY</u>	<u>DESCRIPTION</u>	<u>STOCK CODE</u>		
12	1	CLOVERLEAF ARM	PLH	BKT	00030
14	8	5/8" MACHINE BOLT COMBO	-	GENERAL	STOCK
15	1	FUSED CUTOUT	SWI	CUT	00070
16	1	LIGHTING ARRESTER	ARR	RIS	00030
18	AS REQUIRED	CURRENT LIMITING FUSE (40CLF)	FUS	CLF	00050
18A		CURRENT LIMITING FUSE (25CLF)	FUS	CLF	00060
18B		CURRENT LIMITING FUSE (12CLF)	FUS	CLF	00040
19	1	HOT LINE CLAMP (3/0 - #6)	CLA	HLC	00010
24	1	GROUND LUG	GRD	CON	-
86	1	TRANSFORMER ANIMAL GUARD	PLH	WLP	00080
87	1	CUTOUT ANIMAL GUARD	PLH	WLP	00060
88	1	LIGHTING ARRESTER ANIMAL GUARD	PLH	WLP	00040
91	1	STATIC GUARD PROTECTOR - ZAP SHIELD	PLH	WLP	00070

OPTIONAL EQUIPMENT

<u>ITEM</u>	<u>QUANTITY</u>	<u>DESCRIPTION</u>	<u>STOCK CODE</u>		
22	1	HENDRIX BRACKET	PLH	HDX	00100
29	1	EYELET	-	GENERAL	STOCK

BURLINGTON ELECTRIC DEPT.

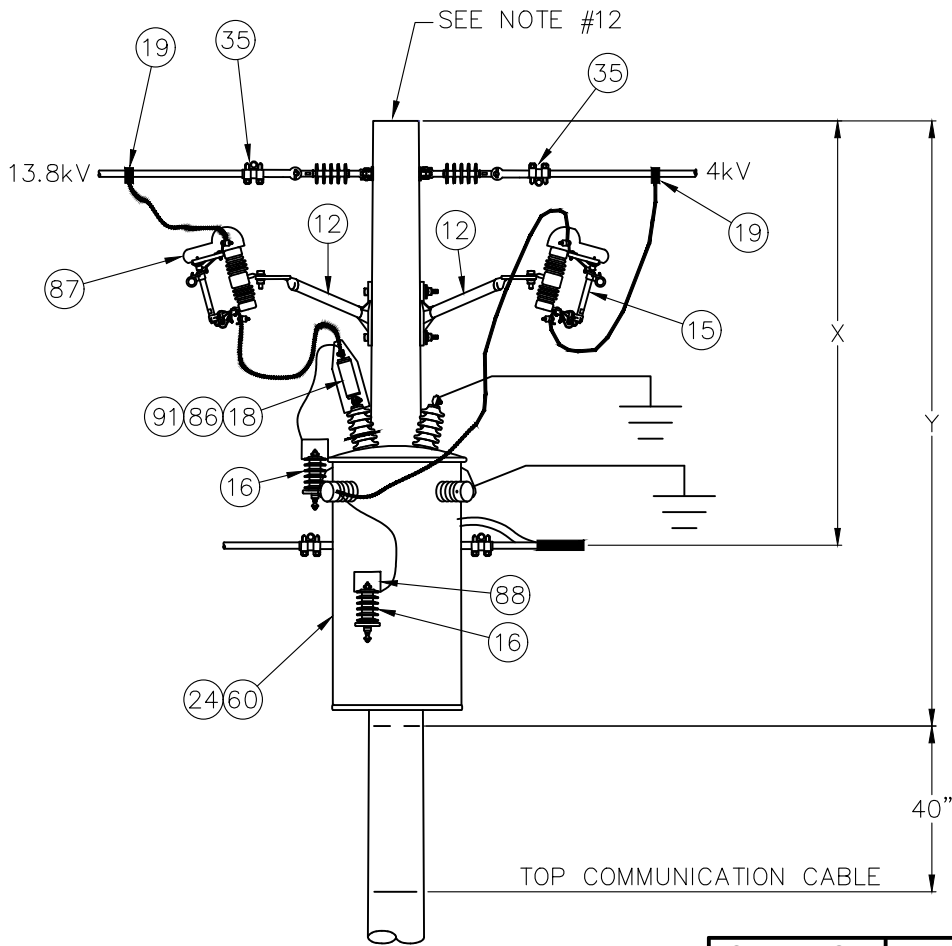
DISTRIBUTION STANDARDS

SINGLE Φ POLE WITH
TRANSFORMER AND SECONDARY

DATE: 03/13/19 DWG. NO.: 080902

DWN BY: RG APP. BY:

SCALE: NONE SHEET 2 OF 2



POLE HEIGHT	DIM X	DIM Y
40'	54"	76"
45'	92"	118"
50'	128"	158"
55'	166"	200"

NOTES

1. NEUTRAL ATTACHMENT MAY BE LOWER DEPENDING ON SAG OF CONDUCTOR INSTALLED.
2. FIELD CONDITIONS WILL GOVERN EXACT LOCATION OF TRANSFORMER. THE BOTTOM OF THE TRANSFORMER TANK MAY EXTEND UP TO 10" INTO THE 40" NEUTRAL SPACE.
3. TRANSFORMERS LARGER THAN 50kVA REQUIRE 3/4" HARDWARE.
4. THE PREFERRED LOCATION OF THE ARRESTER IS ON THE TRANSFORMER TANK. WIRE TO LOAD SIDE OF CUTOUT.
5. USE ANIMAL GUARD ON ARRESTER AND TRANSFORMER BUSHINGS (TOP MOUNTED BUSHING TRANSFORMERS).
6. PRIMARY AND GROUND CONNECTIONS WILL USE #2 STRANDED COPPER WITH 600V INSULATION.
7. STREET LIGHT MAY BE MOUNTED WITHIN 12" OF COMMUNICATIONS/FIRE ALARM AS LONG AS LIGHT IS GROUNDED.
8. IF GUY IS USED, LOCATION OF GUY MAY BE MOVED DEPENDING ON SIZE OF CONDUCTOR.
9. SEE DRAWING 0704 FOR GROUNDING.
10. ALL NEW POLES SET FOR PRIMARY SINGLE PHASE CONSTRUCTION SHALL BE 40' MINIMUM.
11. THE CURRENT LIMITING FUSE SHALL BE INSTALLED ON THE TRANSFORMER BUSHING (PREFERRED OPTION) OR THE LOAD SIDE OF THE CUTOUT. THE CURRENT LIMITING FUSE SHALL NOT BE INSTALLED ON THE LINE SIDE OF THE CUTOUT.
12. FOR SINGLE PHASE DOUBLE DEADEND CONSTRUCTION, SEE 0807.

BURLINGTON ELECTRIC DEPT.	
DISTRIBUTION STANDARDS	
SINGLE Ø POLE WITH STEP DOWN TRANSFORMER	
DATE: 03/13/19	DWG. NO.: 081101
DWN BY: RG	APP. BY:
SCALE: NONE	SHEET 1 OF 1

MATERIAL LIST

<u>ITEM</u>	<u>QUANTITY</u>	<u>DESCRIPTION</u>	<u>STOCK CODE</u>		
12	2	CLOVERLEAF ARM	PLH	BKT	00030
14	3	5/8" MACHINE BOLT COMBO	-	GENERAL	STOCK
15	2	FUSED CUTOUT	SWI	CUT	00070
16	2	LIGHTING ARRESTER	ARR	RIS	00030
18	1	CURRENT LIMITING FUSE (40CLF)	FUS	CLF	00050
		CURRENT LIMITING FUSE (25CLF)	FUS	CLF	00060
		CURRENT LIMITING FUSE (12CLF)	FUS	CLF	00040
19	2	HOT LINE CLAMP (3/0 - #6)	CLA	HLC	00010
24	1	GROUND LUG	GRD	CON	-
35	4	DEADEND CLAMP - #6 TO 2/0	CLA	DEA	00010
		DEADEND CLAMP - #4 TO 556 KCMIL	CLA	DEA	00050
60	1	STEP DOWN TRANSFORMER, POLE TYPE	SEE	MATERIAL	LIST
86	AS REQUIRED	TRANSFORMER ANIMAL GUARD	PLH	WLP	00080
87	AS REQUIRED	CUTOUT ANIMAL GUARD	PLH	WLP	00060
91	AS REQUIRED	STATIC GUARD PROTECTOR - ZAP SHIELD	PLH	WLP	00070

BURLINGTON ELECTRIC DEPT.

DISTRIBUTION STANDARDS

SINGLE Φ POLE WITH
STEPDOWN

DATE: 03/13/19 DWG. NO.: 081102

DWN BY: RG APP. BY:

SCALE: NONE SHEET 2 OF 2