

**INDEX - THREE  $\Phi$  CONSTRUCTION FIBERGLASS ARM**

DWG NO.	TITLE	REV DATE
1003	THREE $\Phi$ POLE - DEADEND	03/13/19
1004	THREE $\Phi$ POLE 0°-20°	03/13/19
1005	THREE $\Phi$ POLE 21°-60°	03/13/19
1006	THREE $\Phi$ POLE 61°-90°	03/13/19
1007	THREE $\Phi$ POLE DOUBLE DEADEND	03/13/19
1008	THREE $\Phi$ POLE WITH SINGLE $\Phi$ TAP	03/13/19
1009	THREE $\Phi$ POLE WITH THREE $\Phi$ TAP	03/13/19
1010	THREE $\Phi$ POLE WITH TRANSFORMER & SECONDARY	03/13/19
1011	THREE $\Phi$ POLE WITH TRANSFORMER BANK	03/13/19

BURLINGTON ELECTRIC DEPT.

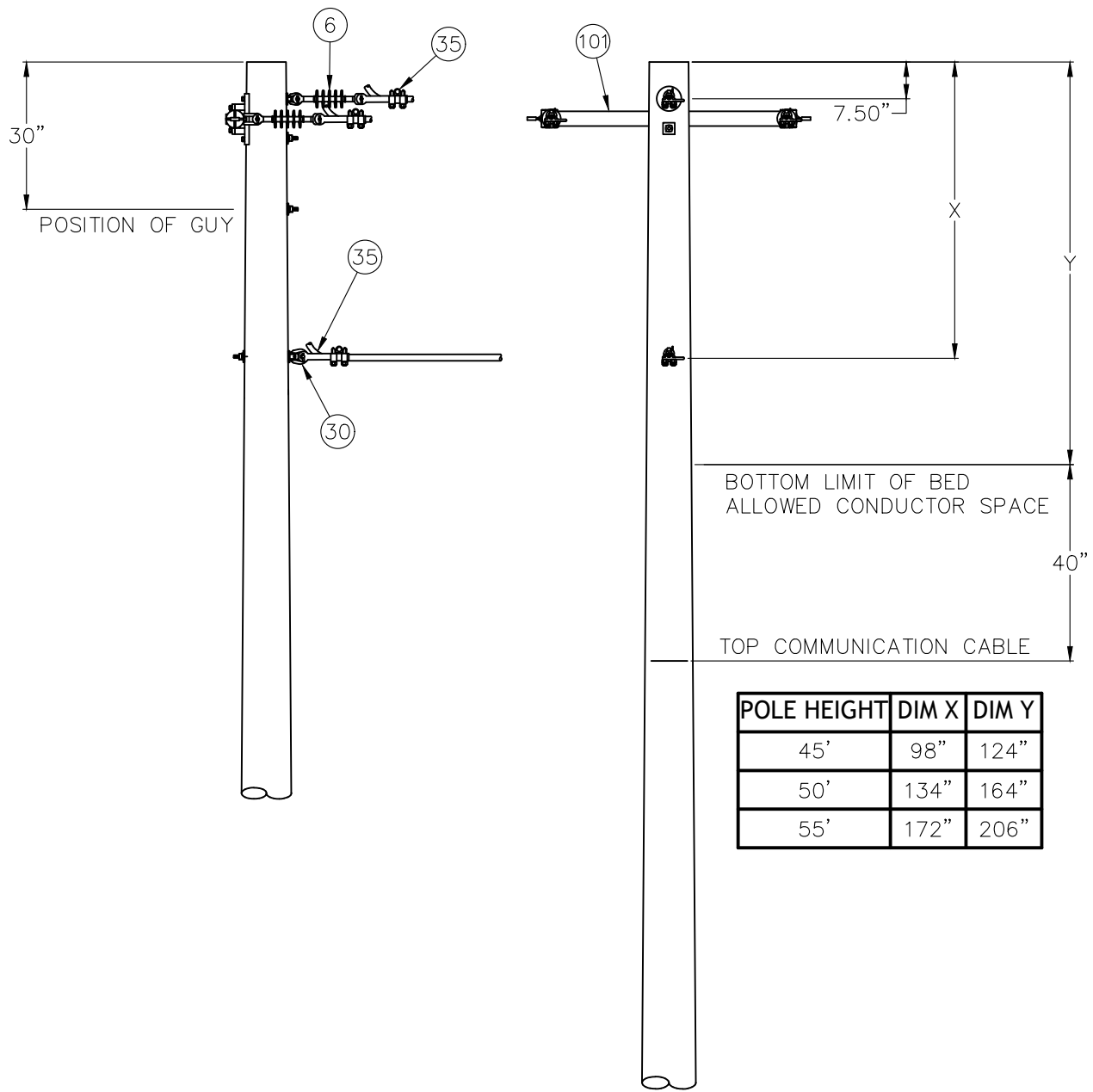
DISTRIBUTION STANDARDS

THREE  $\Phi$  CONSTRUCTION  
FIBERGLASS ARM

DATE: 03/13/19 DWG. NO.: 100001

DWN BY: RG APP. BY:

SCALE: NONE SHEET 1 OF 1



**NOTES**

1. NEUTRAL ATTACHMENT MAY BE LOWER DEPENDING ON SAG OF CONDUCTOR INSTALLED.
2. LOCATION OF GUY MAY BE MOVED DEPENDING ON SIZE OF CONDUCTOR.
3. THE CENTER PHASE MAY BE MOUNTED DIRECTLY TO POLE TO INCREASE CLEARANCE FOR HIGHER VOLTAGE.

<b>BURLINGTON ELECTRIC DEPT.</b>	
<b>DISTRIBUTION STANDARDS</b>	
<b>THREE Ø POLE DEADEND</b>	
DATE: 03/13/19	DWG. NO.: 100301
DWN BY: RG	APP. BY:
SCALE: NONE	SHEET 1 OF 1

MATERIAL LIST

<u>ITEM</u>	<u>QUANTITY</u>	<u>DESCRIPTION</u>	<u>STOCK CODE</u>		
6	3	SUSPENSION INSULATOR	PLH	IND	00010
14	4	5/8" MACHINE BOLT COMBO	-	GENERAL	STOCK
35	4	DEADEND CLAMP - #6 TO 2/0	CLA	DEA	00010
		DEADEND CLAMP - #4 TO 556 KCMIL	CLA	DEA	00050
101	1	4 FOOT FIBERGLASS CROSSARM	-	NON	STOCK

BURLINGTON ELECTRIC DEPT.

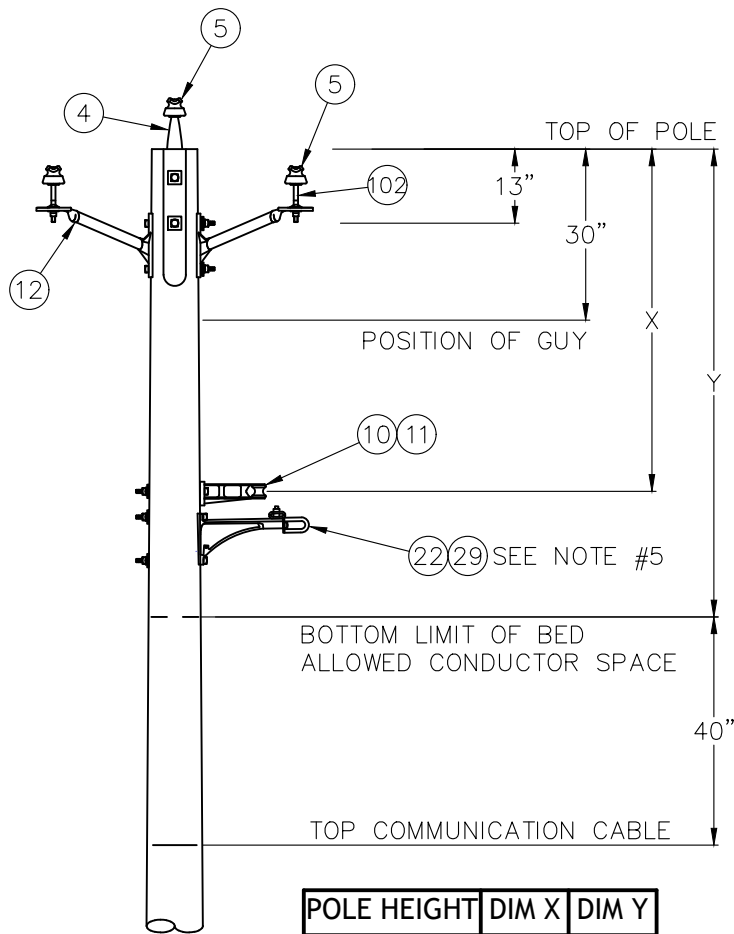
DISTRIBUTION STANDARDS

THREE  $\Phi$  POLE - DEADEND

DATE: 03/13/19 DWG. NO.: 100302

DWN BY: CC APP. BY:

SCALE: NONE SHEET 2 OF 2



POLE HEIGHT	DIM X	DIM Y
45'	98"	124"
50'	134"	164"
55'	172"	206"

**NOTES**

1. NEUTRAL ATTACHMENT MAY BE LOWER DEPENDING ON SAG OF CONDUCTOR INSTALLED.
2. IF GUY IS USED, LOCATION OF GUY MAY BE MOVED DEPENDING ON SIZE OF CONDUCTOR.
3. HENDRIX BRACKET (ITEM 22) AND EYELET (ITEM 29) USED ONLY WITH ATTACHED SECONDARIES.

<b>BURLINGTON ELECTRIC DEPT.</b>	
<b>DISTRIBUTION STANDARDS</b>	
<b>THREE Ø POLE</b>	
<b>0° - 20°</b>	
DATE: 03/13/19	DWG. NO.: 100401
DWN BY: RG	APP. BY:
SCALE: NONE	SHEET 1 OF 1

MATERIAL LIST

<u>ITEM</u>	<u>QUANTITY</u>	<u>DESCRIPTION</u>	<u>STOCK CODE</u>		
4	1	POLE TOP PIN, 20"	PLH	PIN	00010
5	3	PIN (SADDLE BACK) INSULATOR	PLH	INP	00010
10	1	NEUTRAL BRACKET	PLH	BKT	00160
11	1	SPOOL INSULATOR	PLH	INL	00020
12	2	CLOVERLEAF ARM	PLH	BKT	00030
14	5	5/8" MACHINE BOLT COMBO	-	GENERAL	STOCK
102	2	INSULATOR PIN	-	GENERAL	STOCK
108	AS REQUIRED	TIE WIRE	ECW	TIE	00020

OPTIONAL EQUIPMENT

<u>ITEM</u>	<u>QUANTITY</u>	<u>DESCRIPTION</u>	<u>STOCK CODE</u>		
14	2	5/8" MACHINE BOLT COMBO	-	GENERAL	STOCK
22	1	HENDRIX BRACKET	PLH	HDX	00100
29	1	EYELET	-	GENERAL	STOCK

BURLINGTON ELECTRIC DEPT.

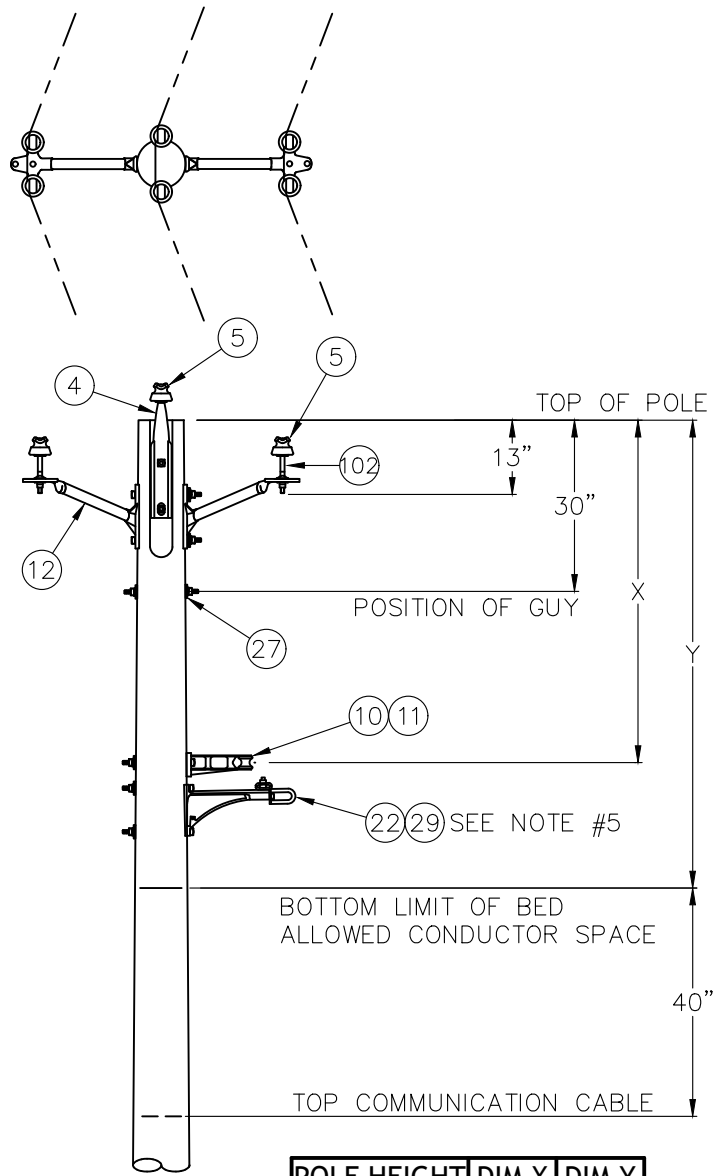
DISTRIBUTION STANDARDS

THREE  $\Phi$  POLE 0°-20°

DATE: 03/13/19 DWG. NO.: 100402

DWN BY: CC APP. BY:

SCALE: NONE SHEET 2 OF 2



POLE HEIGHT	DIM X	DIM Y
45'	98"	124"
50'	134"	164"
55'	172"	206"

**NOTES**

1. NEUTRAL ATTACHMENT MAY BE LOWER DEPENDING ON SAG OF CONDUCTOR INSTALLED.
2. LOCATION OF GUY MAY BE MOVED DEPENDING ON SIZE OF CONDUCTOR.
3. HENDRIX BRACKET (ITEM 22) AND EYELET (ITEM 29) USED ONLY WITH ATTACHED SECONDARIES.

<b>BURLINGTON ELECTRIC DEPT.</b>	
<b>DISTRIBUTION STANDARDS</b>	
<b>THREE Ø POLE</b>	
<b>21° - 60°</b>	
DATE: 03/13/19	DWG. NO.: 100501
DWN BY: RG	APP. BY:
SCALE: NONE	SHEET 1 OF 1

MATERIAL LIST

<u>ITEM</u>	<u>QUANTITY</u>	<u>DESCRIPTION</u>	<u>STOCK CODE</u>		
4	2	POLE TOP PIN, 20"	PLH	PIN	00010
5	6	PIN (SADDLE BACK) INSULATOR	PLH	INP	00010
10	1	NEUTRAL BRACKET	PLH	BKT	00160
11	1	SPOOL INSULATOR	PLH	INL	00020
12	2	CLOVERLEAF ARM	PLH	BKT	00030
14	6	5/8" MACHINE BOLT COMBO	-	GENERAL	STOCK
102	4	INSULATOR PIN	-	GENERAL	STOCK
108	AS REQUIRED	TIE WIRE	ECW	TIE	00020

OPTIONAL EQUIPMENT

<u>ITEM</u>	<u>QUANTITY</u>	<u>DESCRIPTION</u>	<u>STOCK CODE</u>		
14	2	5/8" MACHINE BOLT COMBO	-	GENERAL	STOCK
22	1	HENDRIX BRACKET	PLH	HDX	00100
29	1	EYELET	-	GENERAL	STOCK

BURLINGTON ELECTRIC DEPT.

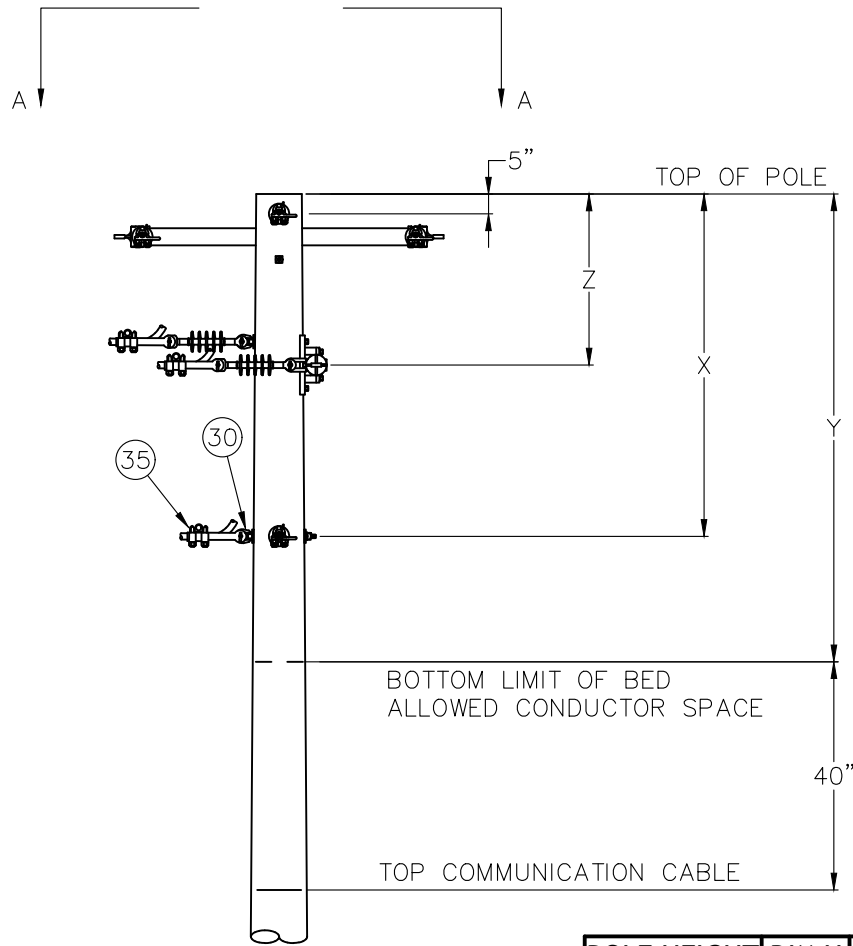
DISTRIBUTION STANDARDS

THREE  $\Phi$  POLE 21°-60°

DATE: 03/13/19 DWG. NO.: 100502

DWN BY: CC APP. BY:

SCALE: NONE SHEET 2 OF 2



GUYS NOT SHOWN FOR CLARITY OF VIEW  
SEE SHEET 2

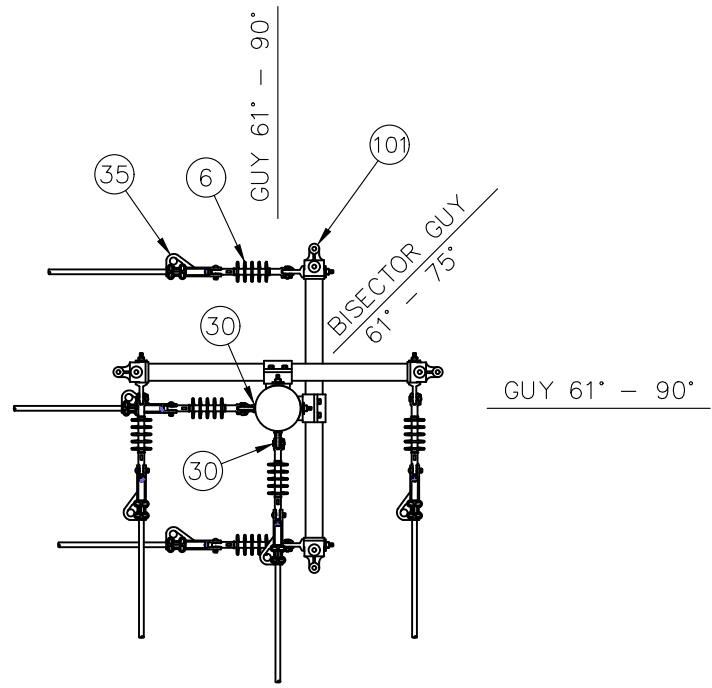
POLE HEIGHT	DIM X	DIM Y	DIM Z
45'	98"	124"	48"
50'	134"	164"	48"
55'	172"	206"	48"

**NOTES**

1. NEUTRAL ATTACHMENT MAY BE LOWER DEPENDING ON SAG OF CONDUCTOR INSTALLED.
2. LOCATION OF GUY MAY BE MOVED DEPENDING ON SIZE OF CONDUCTOR.

<b>BURLINGTON ELECTRIC DEPT.</b>	
<b>DISTRIBUTION STANDARDS</b>	
<b>THREE Ø POLE</b>	
<b>61° - 90°</b>	
DATE: 03/13/19	DWG. NO.: 100601
DWN BY: RG	APP. BY:
SCALE: NONE	SHEET 1 OF 2





VIEW A-A

<b>BURLINGTON ELECTRIC DEPT.</b>	
<b>DISTRIBUTION STANDARDS</b>	
<b>THREE Ø POLE</b>	
<b>61° - 90°</b>	
DATE: 04/03/17	DWG. NO.: 100602
DWN BY: RG	APP. BY:
SCALE: NONE	SHEET 2 OF 2

MATERIAL LIST

<u>ITEM</u>	<u>QUANTITY</u>	<u>DESCRIPTION</u>	<u>STOCK CODE</u>		
6	6	SUSPENSION INSULATOR	PLH	IND	00010
14	8	5/8" MACHINE BOLT COMBO	-	GENERAL	STOCK
35	8	DEADEND CLAMP - #6 TO 2/0	CLA	DEA	00010
		DEADEND CLAMP - #4 TO 556 KCMIL	CLA	DEA	00050
101	2	4 FOOT FIBERGLASS CROSSARM	-	NON	STOCK

OPTIONAL EQUIPMENT

<u>ITEM</u>	<u>QUANTITY</u>	<u>DESCRIPTION</u>	<u>STOCK CODE</u>		
5	AS REQUIRED	PIN (SADDLE BACK) INSULATOR	PLH	INP	00010
102	AS REQUIRED	INSULATOR PIN	-	GENERAL	STOCK
108	AS REQUIRED	TIE WIRE	ECW	TIE	00020

BURLINGTON ELECTRIC DEPT.

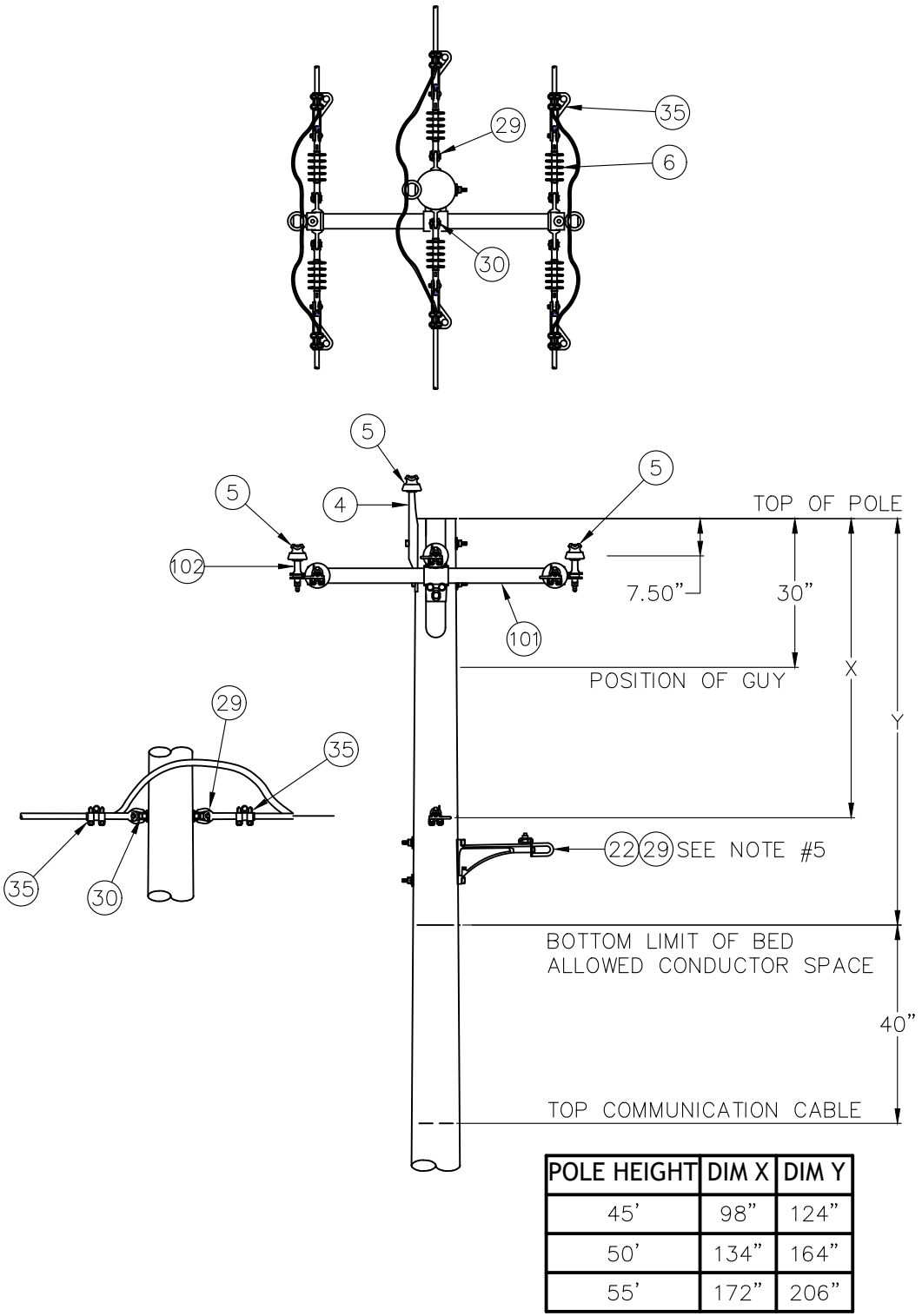
DISTRIBUTION STANDARDS

THREE  $\Phi$  POLE 61°-90°

DATE: 03/13/19 DWG. NO.: 100603

DWN BY: CC APP. BY:

SCALE: NONE SHEET 3 OF 3



**NOTES**

1. NEUTRAL ATTACHMENT MAY BE LOWER DEPENDING ON SAG OF CONDUCTOR INSTALLED.
2. IF GUY IS USED, LOCATION OF GUY MAY BE MOVED DEPENDING ON SIZE OF CONDUCTOR.
3. HENDRIX BRACKET (ITEM 22) AND EYELET (ITEM 29) USED ONLY WITH ATTACHED SECONDARIES.
4. ALL MOUNTING HARDWARE TO BE 5/8"Ø UNLESS OTHERWISE NOTED.

**BURLINGTON ELECTRIC DEPT.  
DISTRIBUTION STANDARDS  
THREE Ø POLE  
DOUBLE DEADEND**

DATE: 03/13/19	DWG. NO.: 100701
DWN BY: RG	APP. BY:
SCALE: NONE	SHEET 1 OF 1

MATERIAL LIST

<u>ITEM</u>	<u>QUANTITY</u>	<u>DESCRIPTION</u>	<u>STOCK CODE</u>		
4	1	POLE TOP PIN, 20"	PLH	PIN	00010
5	3	PIN (SADDLE BACK) INSULATOR	PLH	INP	00010
6	6	SUSPENSION INSULATOR	PLH	IND	00010
14	6	5/8" MACHINE BOLT COMBO	-	GENERAL	STOCK
29	2	EYELET	-	GENERAL	STOCK
30	4	EYE NUT	-	GENERAL	STOCK
35	6	DEADEND CLAMP - #6 TO 2/0	CLA	DEA	00010
		DEADEND CLAMP - #4 TO 556 KCMIL	CLA	DEA	00050
101	1	4 FOOT FIBERGLASS CROSSARM	-	NON	STOCK
102	2	INSULATOR PIN	-	GENERAL	STOCK
108	AS REQUIRED	TIE WIRE	ECW	TIE	00020

OPTIONAL EQUIPMENT

<u>ITEM</u>	<u>QUANTITY</u>	<u>DESCRIPTION</u>	<u>STOCK CODE</u>		
14	2	5/8" MACHINE BOLT COMBO	-	GENERAL	STOCK
22	1	HENDRIX BRACKET	PLH	HDX	00100
29	1	EYELET	-	GENERAL	STOCK

BURLINGTON ELECTRIC DEPT.

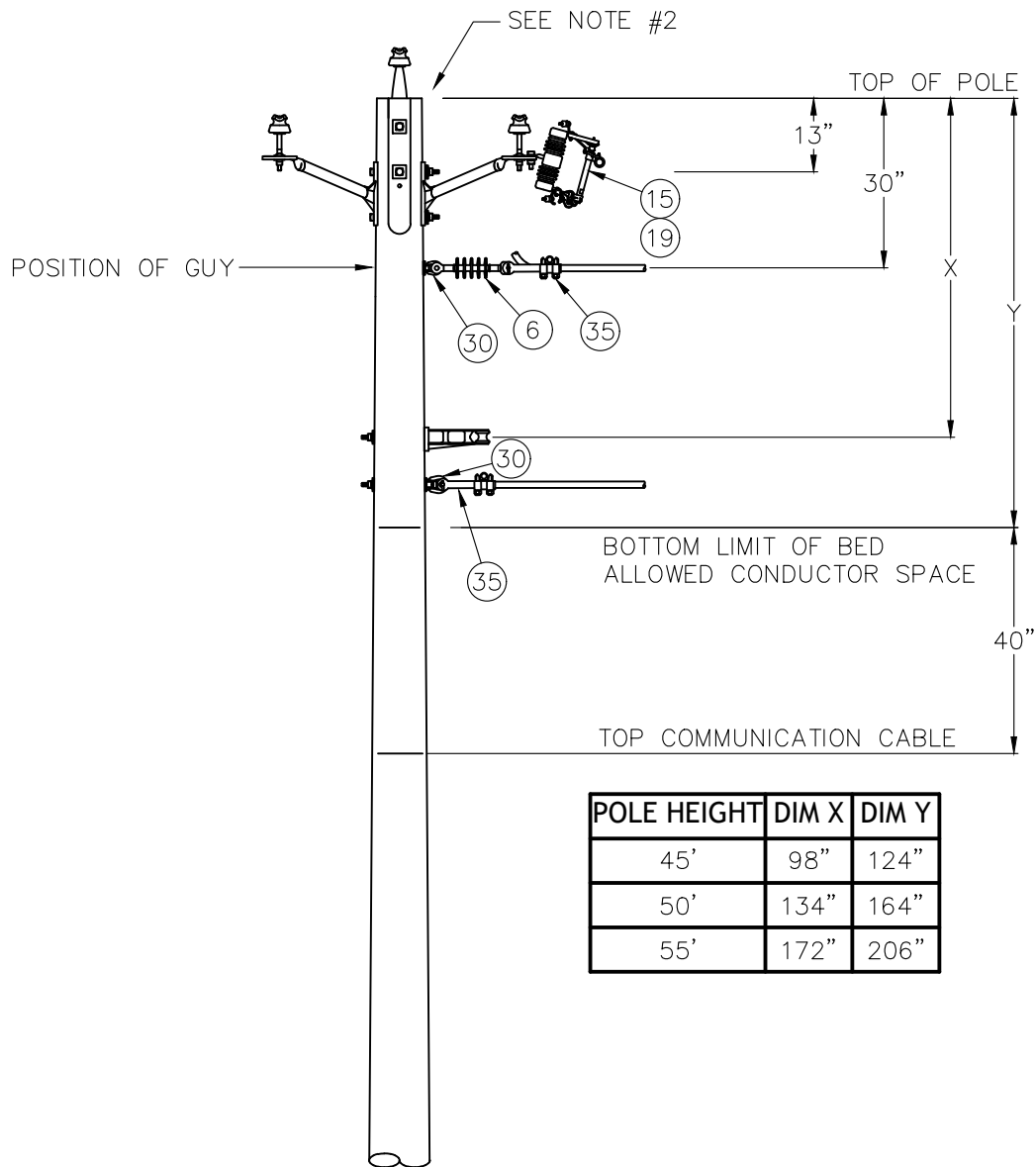
DISTRIBUTION STANDARDS

THREE  $\Phi$  POLE DOUBLE  
DEADEND

DATE: 03/13/19 DWG. NO.: 100702

DWN BY: CC APP. BY:

SCALE: NONE SHEET 2 OF 2



POLE HEIGHT	DIM X	DIM Y
45'	98"	124"
50'	134"	164"
55'	172"	206"

**NOTES**

1. NEUTRAL ATTACHMENT MAY BE LOWER DEPENDING ON SAG OF CONDUCTOR INSTALLED.
2. FOR THREE PHASE FIBERGLASS CONSTRUCTION, SEE STANDARD 1004.

<b>BURLINGTON ELECTRIC DEPT.</b>	
<b>DISTRIBUTION STANDARDS</b>	
<b>THREE Ø POLE WITH SINGLE Ø TAP</b>	
DATE: 03/13/19	DWG. NO.: 100801
DWN BY: RG	APP. BY:
SCALE: NONE	SHEET 1 OF 1

MATERIAL LIST

<u>ITEM</u>	<u>QUANTITY</u>	<u>DESCRIPTION</u>	<u>STOCK CODE</u>		
6	1	SUSPENSION INSULATOR	PLH	IND	00010
14	7	5/8" MACHINE BOLT COMBO	-	GENERAL	STOCK
15	2	FUSED CUTOUT	SWI	CUT	00070
19	1	HOT LINE CLAMP (3/0 - #6)	CLA	HLC	00010
30	2	EYE NUT	-	GENERAL	STOCK
35	2	DEADEND CLAMP - #6 TO 2/0	CLA	DEA	00010
		DEADEND CLAMP - #4 TO 556 KCMIL	CLA	DEA	00050

BURLINGTON ELECTRIC DEPT.

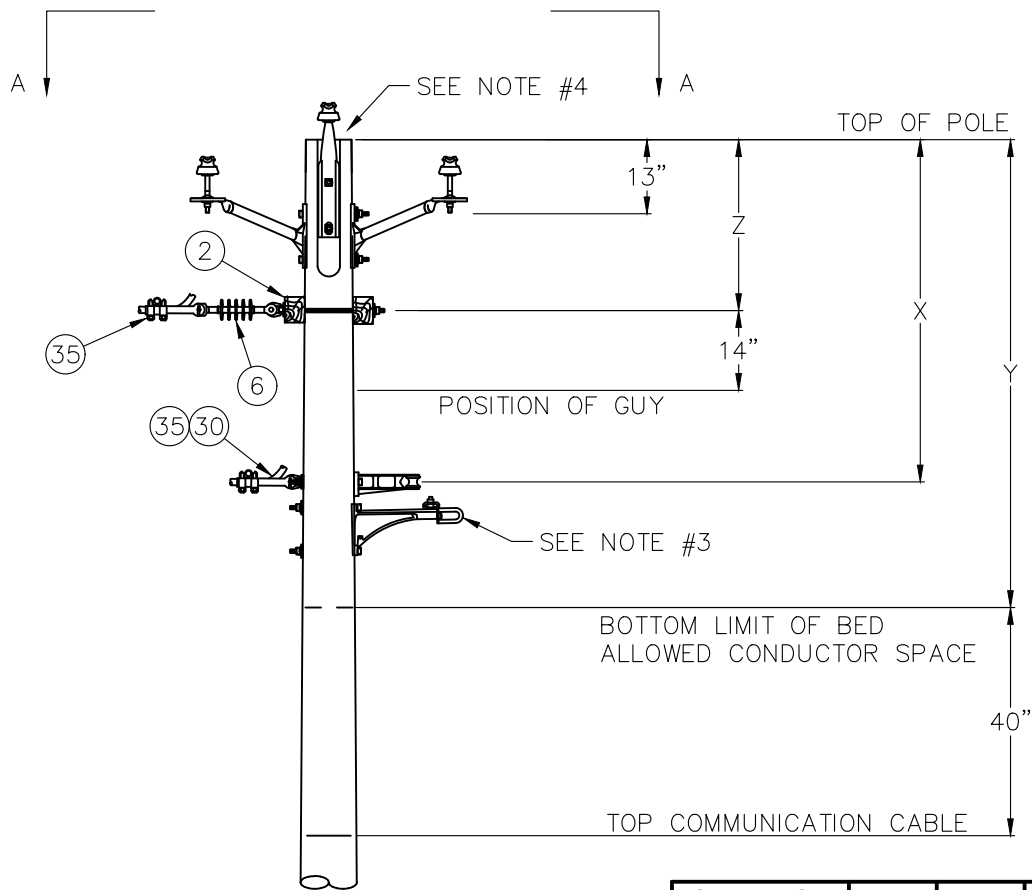
DISTRIBUTION STANDARDS

THREE  $\Phi$  POLE WITHSINGLE  $\Phi$  TAP

DATE: 03/13/19 DWG. NO.: 100802

DWN BY: CC APP. BY:

SCALE: NONE SHEET 2 OF 2



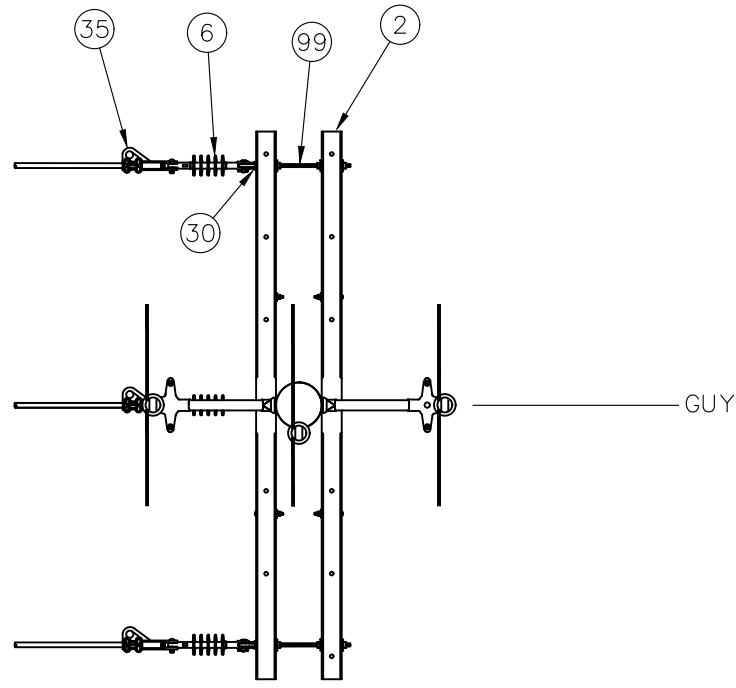
GUYS NOT SHOWN FOR CLARITY OF VIEW  
SEE SHEET 2

POLE HEIGHT	DIM X	DIM Y	DIM Z
45'	98"	124"	48"
50'	134"	164"	48"
55'	172"	206"	48"

**NOTES**

1. NEUTRAL ATTACHMENT MAY BE LOWER DEPENDING ON SAG OF CONDUCTOR INSTALLED.
2. LOCATION OF GUY MAY BE MOVED DEPENDING ON SIZE OF CONDUCTOR.
3. HENDRIX BRACKET (ITEM 22) AND EYELET (ITEM 29) USED ONLY WITH ATTACHED SECONDARIES.
4. FOR THREE PHASE FIBERGLASS CONSTRUCTION, SEE STANDARD 1004.

<b>BURLINGTON ELECTRIC DEPT.</b>	
<b>DISTRIBUTION STANDARDS</b>	
<b>THREE Ø POLE WITH THREE Ø TAP</b>	
DATE: 03/13/19	DWG. NO.: 100901
DWN BY: RG	APP. BY:
SCALE: NONE	SHEET 1 OF 2



VIEW A-A

BURLINGTON ELECTRIC DEPT.	
DISTRIBUTION STANDARDS	
THREE Ø POLE WITH THREE Ø TAP	

DATE: 04/03/17	DWG. NO.: 100902
DWN BY: RG	APP. BY:
SCALE: NONE	SHEET 2 OF 2



MATERIAL LIST

<u>ITEM</u>	<u>QUANTITY</u>	<u>DESCRIPTION</u>	<u>STOCK CODE</u>		
2	2	CROSSARM, 8 FOOT	PLH	XAW	00030
3	4	CROSSARM BRACE - 28" STEEL	PLH	BRS	00010
6	3	SUSPENSION INSULATOR	PLH	IND	00010
9	2	1/2" LAG BOLT & SPRING WASHER	-	GENERAL	STOCK
13	6	3/8" CARRIAGE BOLT COMBO	-	GENERAL	STOCK
14	5	5/8" MACHINE BOLT COMBO	-	GENERAL	STOCK
30	4	EYE NUT	-	GENERAL	STOCK
35	4	DEADEND CLAMP - #6 TO 2/0	CLA	DEA	00010
		DEADEND CLAMP - #4 TO 556 KCMIL	CLA	DEA	00050
99	3	5/8" DOUBLE ARMING BOLT COMBO	-	GENERAL	STOCK

OPTIONAL EQUIPMENT

<u>ITEM</u>	<u>QUANTITY</u>	<u>DESCRIPTION</u>	<u>STOCK CODE</u>		
8	AS REQUIRED	CROSSARM PIN, 6"	-	GENERAL	STOCK
14	2	5/8" MACHINE BOLT COMBO	-	GENERAL	STOCK
15	3	FUSED CUTOUT	SWI	CUT	00070

BURLINGTON ELECTRIC DEPT.

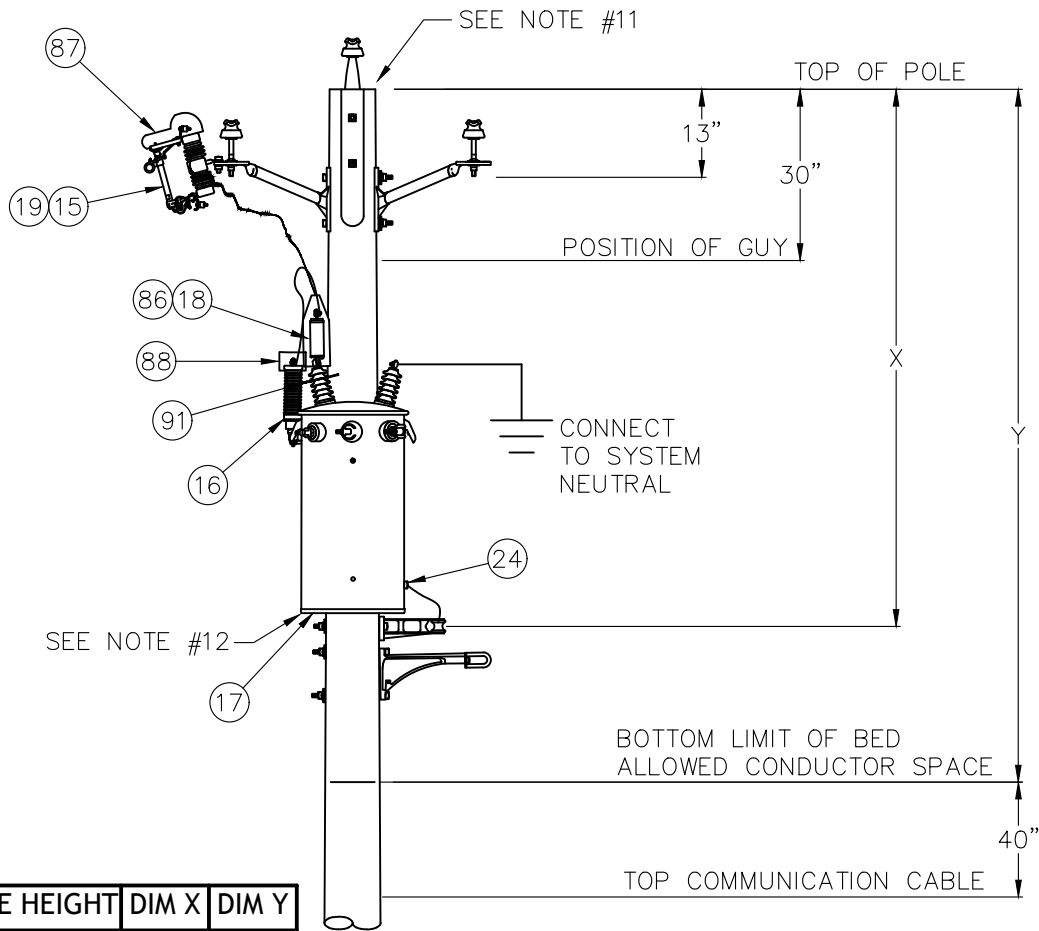
DISTRIBUTION STANDARDS

THREE  $\Phi$  POLE WITH  
THREE  $\Phi$  TAP

DATE: 03/13/19 DWG. NO.: 100903

DWN BY: CC APP. BY:

SCALE: NONE SHEET 3 OF 3



POLE HEIGHT	DIM X	DIM Y
45'	98"	124"
50'	134"	164"
55'	172"	206"

**NOTES**

1. NEUTRAL ATTACHMENT MAY BE LOWER DEPENDING ON SAG OF CONDUCTOR INSTALLED.
2. FIELD CONDITIONS WILL GOVERN EXACT LOCATION OF TRANSFORMER (DRAWING SHOWS THE LOWEST POSSIBLE LOCATION).
3. TRANSFORMERS LARGER THAN 50kVA REQUIRE 3/4" HARDWARE.
4. THE PREFERRED LOCATION OF THE ARRESTER IS ON THE TRANSFORMER TANK. WIRE TO LOAD SIDE OF CUTOUT.
5. USE ANIMAL GUARD ON ARRESTER AND TRANSFORMER BUSHINGS (TOP MOUNTED BUSHING TRANSFORMERS).
6. PRIMARY AND GROUND CONNECTIONS WILL USE #2 STRANDED COPPER WITH 600V INSULATION.
7. STREET LIGHT MAY BE MOUNTED WITHIN 12" OF COMMUNICATIONS AS LONG AS LIGHT IS GROUNDED.
8. IF GUY IS USED, LOCATION OF GUY MAY BE MOVED DEPENDING ON SIZE OF CONDUCTOR.
9. SEE DRAWING 0704 FOR GROUNDING.
10. ALL MOUNTING HARDWARE TO BE 5/8"Ø UNLESS OTHERWISE NOTED.
11. FOR THREE PHASE FIBERGLASS CONSTRUCTION, SEE STANDARD 1004.
12. IF SPACING REQUIRES, BOTTOM OF TRANSFORMER CAN BE NO LESS THAN 30" FROM TOP COMMUNICATION CABLE.

<b>BURLINGTON ELECTRIC DEPT.</b>	
<b>DISTRIBUTION STANDARDS</b>	
<b>THREE Ø POLE WITH TRANSFORMER &amp; SECONDARY</b>	
DATE: 03/13/19	DWG. NO.: 101001
DWN BY: RG	APP. BY:
SCALE: NONE	SHEET 1 OF 1

MATERIAL LIST

<u>ITEM</u>	<u>QUANTITY</u>	<u>DESCRIPTION</u>	<u>STOCK CODE</u>		
14	8	5/8" MACHINE BOLT COMBO	-	GENERAL	STOCK
15	1	FUSED CUTOUT	SWI	CUT	00070
16	1	LIGHTING ARRESTER	ARR	RIS	00030
17	1	TRANSFORMER, POLE TYPE	SEE	MATERIAL	LIST
18	1	CURRENT LIMITING FUSE (40CLF)	FUS	CLF	00050
		CURRENT LIMITING FUSE (25CLF)	FUS	CLF	00060
		CURRENT LIMITING FUSE (12CLF)	FUS	CLF	00040
19	1	HOT LINE CLAMP (3/0 - #6)	CLA	HLC	00010
24	1	GROUND LUG	GRD	CON	-
86	1	TRANSFORMER ANIMAL GUARD	PLH	WLP	00080
87	1	CUTOUT ANIMAL GUARD	PLH	WLP	00060
88	1	LIGHTING ARRESTER ANIMAL GUARD	PLH	WLP	00040
91	1	STATIC GUARD PROTECTOR - ZAP SHIELD	PLH	WLP	00070

OPTIONAL EQUIPMENT

<u>ITEM</u>	<u>QUANTITY</u>	<u>DESCRIPTION</u>	<u>STOCK CODE</u>		
22	1	HENDRIX BRACKET	PLH	HDX	00100
29	1	EYELET	-	GENERAL	STOCK

BURLINGTON ELECTRIC DEPT.

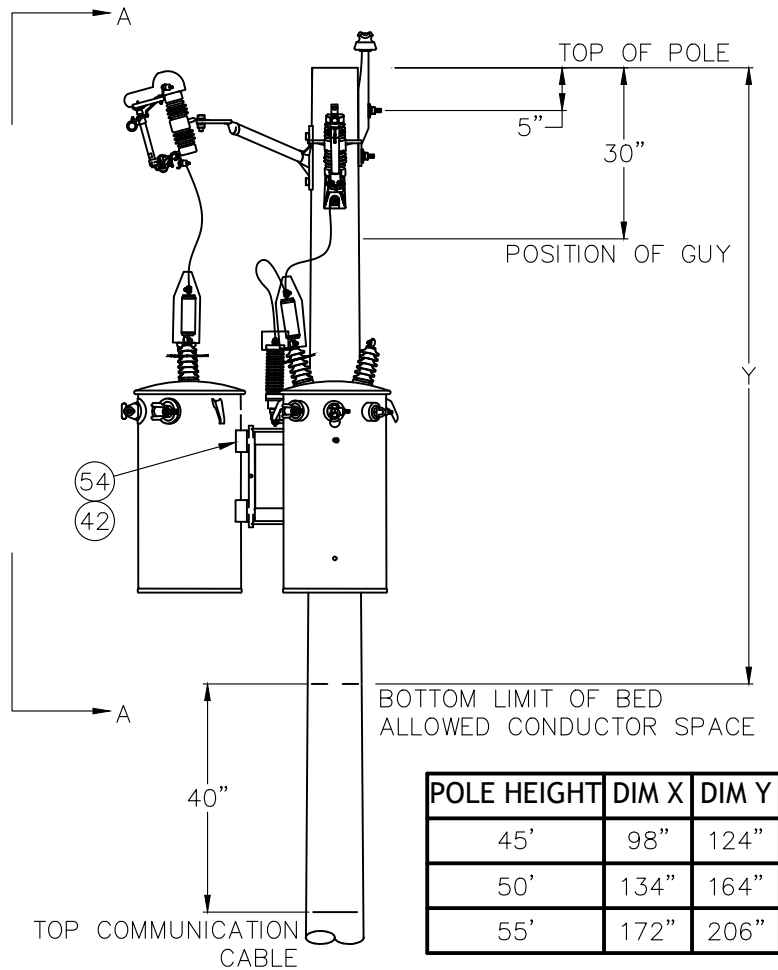
DISTRIBUTION STANDARDS

THREE  $\Phi$  POLE WITH  
TRANSFORMER & SECONDARY

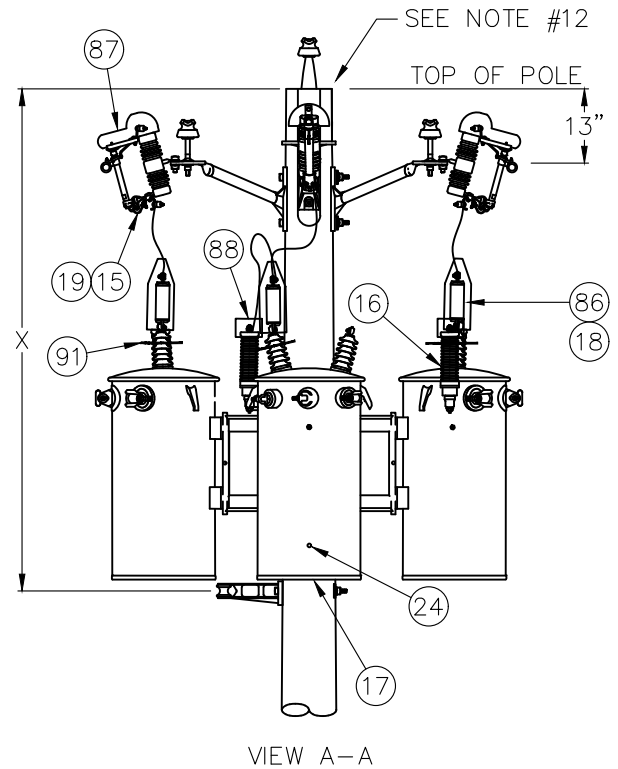
DATE: 03/13/19 DWG. NO.: 101002

DWN BY: RG APP. BY:

SCALE: NONE SHEET 2 OF 2



POLE HEIGHT	DIM X	DIM Y
45'	98"	124"
50'	134"	164"
55'	172"	206"



**NOTES**

1. NEUTRAL ATTACHMENT MAY BE LOWER DEPENDING ON SAG OF CONDUCTOR INSTALLED.
2. FIELD CONDITIONS WILL GOVERN EXACT LOCATION OF TRANSFORMER.
3. TRANSFORMERS LARGER THAN 50kVA REQUIRE 3/4" HARDWARE.
4. THE PREFERRED LOCATION OF THE ARRESTER IS ON THE TRANSFORMER TANK. WIRE TO LOAD SIDE OF CUTOUT.
5. USE ANIMAL GUARD ON ARRESTER AND TRANSFORMER BUSHINGS (TOP MOUNTED BUSHING TRANSFORMERS).
6. PRIMARY AND GROUND CONNECTIONS WILL USE #2 STRANDED COPPER WITH 600V INSULATION.
7. STREET LIGHT MAY BE MOUNTED WITHIN 12" OF COMMUNICATIONS AS LONG AS LIGHT IS GROUND.
8. IF GUY IS USED, LOCATION OF GUY MAY BE MOVED DEPENDING ON SIZE OF CONDUCTOR.
9. SEE DRAWING 0704 FOR GROUNDING.
10. TRANSFORMER CONNECTIONS WILL VARY WITH VOLTAGE REQUIREMENTS.
11. ALL MOUNTING HARDWARE TO BE 5/8"Ø UNLESS OTHERWISE NOTED.
12. FOR THREE PHASE FIBERGLASS CONSTRUCTION, SEE STANDARD 1004.

**BURLINGTON ELECTRIC DEPT.**

**DISTRIBUTION STANDARDS**

**THREE Ø POLE  
WITH TRANSFORMER BANK**

DATE: 03/13/19

DWG. NO.: 101101

DWN BY: RG

APP. BY:

SCALE: NONE

SHEET 1 OF 1

MATERIAL LIST

<u>ITEM</u>	<u>QUANTITY</u>	<u>DESCRIPTION</u>	<u>STOCK CODE</u>		
14	5	5/8" MACHINE BOLT COMBO	-	GENERAL	STOCK
15	3	FUSED CUTOUT	SWI	CUT	00070
16	3	LIGHTING ARRESTER	ARR	RIS	00030
17	3	TRANSFORMER, POLE TYPE	SEE	MATERIAL	LIST
18	3	CURRENT LIMITING FUSE (40CLF)	FUS	CLF	00050
		CURRENT LIMITING FUSE (25CLF)	FUS	CLF	00060
		CURRENT LIMITING FUSE (12CLF)	FUS	CLF	00040
19	3	HOT LINE CLAMP (3/0 - #6)	CLA	HLC	00010
24	3	GROUND LUG	GRD	CON	-
42	2	PUSH BRACE CONNECTOR	PLH	PBC	00010
54	1	CLUSTER BRACKET 250 KVA OR LARGER	PLH	BKX	00010
		CLUSTER BRACKET 100 KVA TO 250 KVA	PLH	BKX	00030
		CLUSTER BRACKET 50 KVA OR LESS	PLH	BKX	00020
86	3	TRANSFORMER ANIMAL GUARD	PLH	WLP	00080
87	3	CUTOUT ANIMAL GUARD	PLH	WLP	00060
88	3	LIGHTING ARRESTER ANIMAL GUARD	PLH	WLP	00040
91	3	STATIC GUARD PROTECTOR - ZAP SHIELD	PLH	WLP	00070

OPTIONAL EQUIPMENT

<u>ITEM</u>	<u>QUANTITY</u>	<u>DESCRIPTION</u>	<u>STOCK CODE</u>		
22	1	HENDRIX BRACKET	PLH	HDX	00100
29	1	EYELET	-	GENERAL	STOCK

BURLINGTON ELECTRIC DEPT.

DISTRIBUTION STANDARDS

THREE  $\Phi$  POLE WITH  
TRANSFORMER BANK

DATE: 03/13/19 DWG. NO.: 101102

DWN BY: RG APP. BY:

SCALE: NONE SHEET 2 OF 2